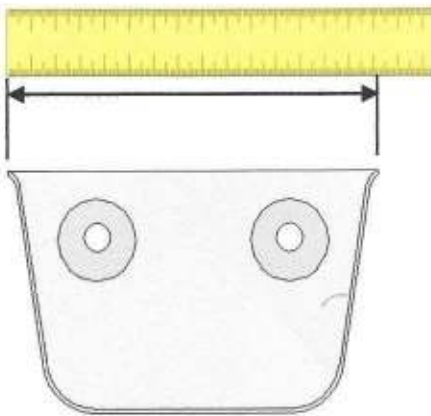
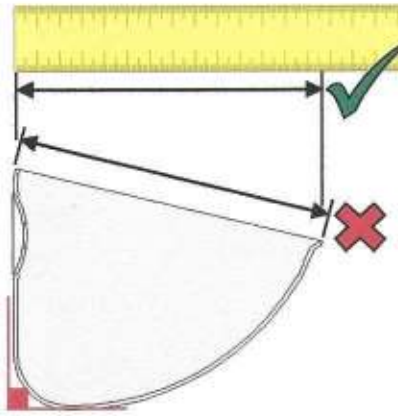


Insert dimensions here:

A	B	C	D	Ø E	F	G	T	No. of Holes	Material

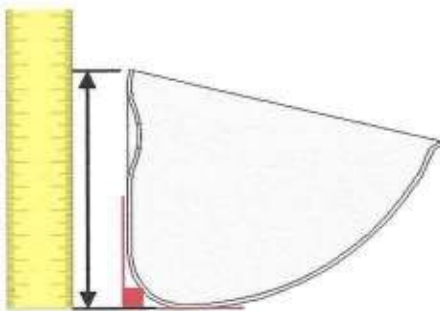


Bucket width A

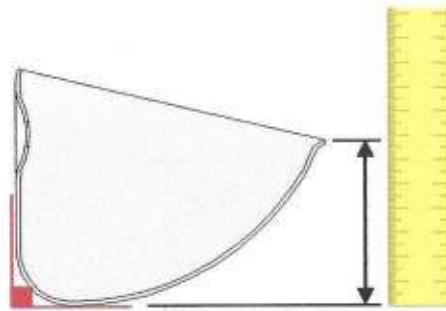


Bucket projection B

Ensure horizontal projection is measured, not the opening of the bucket.



Back height C

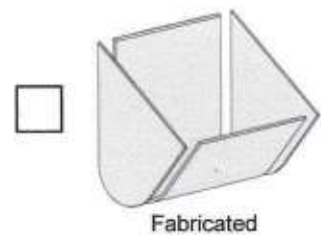
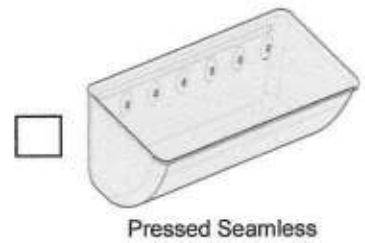


Front lip height D

When measuring dimension B, C and D make sure the bucket is on a flat surface and the back is positioned vertically.

T: Using a micrometer, measure the thickness of the bucket.

Select bucket style:



Select bucket shape closest to yours:

