

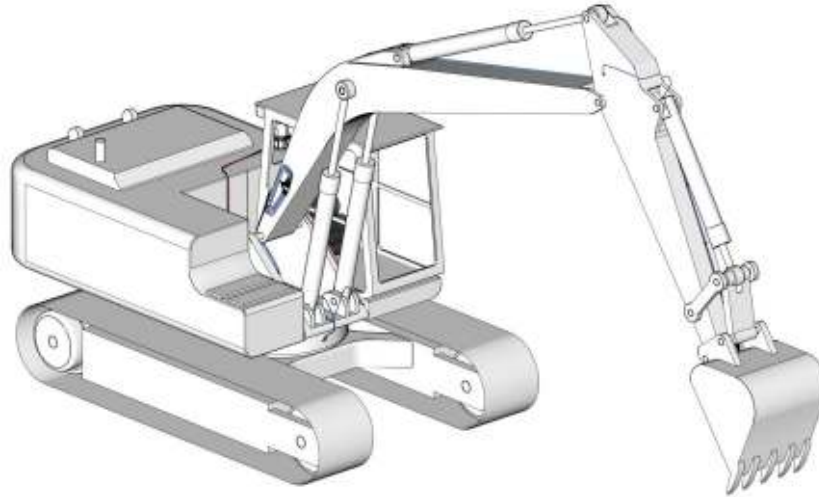
Mobile Lubrication Library

Hyundai Excavator Centralized Lubrication System Installation



Instructions for installing a Graco automatic lubrication system on the Hyundai Excavator Models HX140 to HX520






Maximum System Working Pressure: 3000 psi (20.68 MPa, 206.8 bar)



Important Safety Information

Before beginning any installation, read all warnings and instructions in all related Graco component manuals (page 28) and all related Original Equipment Manufacturer (OEM) manuals, including the vehicle's Operation and Maintenance Manual (OMM). Save all instructions.

The lubrication system design described in this manual is based upon representative equipment models. Models may vary slightly depending on series and year. Additional hoses, fittings, and valve outlet doubling plugs are supplied with the kits to modify the system based on your model's specific configuration.

|  WARNING | | | |
|--|---|---|---|
|  |  |  |  |
| FLUID INJECTION HAZARD | | | |
| Fluid leaks from incorrectly installed or ruptured components, and/or failure to verify the components are properly installed and tested, can result in serious injury such as fluid spraying in the eyes or on skin and fluid injection, or equipment damage. | | | |

| NOTICE |
|---|
| Welding can damage electronics and the equipment's structure. To help prevent equipment damage caused by welding: |
| <ul style="list-style-type: none"> • Disconnect the vehicle battery before welding. • Follow all welding guidelines in the OEM manuals, including the OEM service manuals. • Only weld in locations specifically approved by the OEM. Consult OEM dealership for information and recommendations. • Perform all welding in accordance with American Welding Standard (AWS) standards. |

The installation instructions contained in this manual are only a recommendation for an automatic lubrication system. They are not intended to replace any instructions provided in the OEM manuals. Always refer to the OEM's manuals for details on lubrication intervals.

Table of Contents

| | |
|--|-----------|
| Recommended Tools and Supplies | 3 |
| Installation | 4 |
| Zerks and Grease Point Fittings | 4 |
| System Layout and Lubrication Points | 5 |
| Hyundai 19 Point Excavator Models HX140 to HX520 | 5 |
| Hyundai 19 Point Excavator Models HX140 to HX520 with Primary Valve | 6 |
| G3 Pump Mounting Bracket and Pressure Relief Valve Assembly | 7 |
| Assemble CSP Valves and Remote Fill Valve (if equipped) | 7 |
| Install CSP Valves | 8 |
| Assemble Hose Fittings | 9 |
| Install G3 Pump | 10 |
| Install Power Cable | 11 |
| Assemble Bracket and Install the Controller (if equipped) | 12 |
| Hose Routing Guidelines | 13 |
| Wiring Guidelines | 18 |
| G3 SP Pumps with Internal Controller, Feedback, and Manual Run Button Wiring Schematic | 18 |
| G3 Pro Pumps with Internal Controller and Manual Run Button Wiring Schematic | 18 |
| G3 Standard Pumps with External Controller, With and Without Feedback Wiring Schematic | 19 |
| Programming | 20 |
| Fill with Grease | 22 |
| Fill Pump Reservoir | 22 |
| Fill Valves and Hoses with Grease to Purge Air | 22 |
| Test the System | 23 |
| Train the Operator | 23 |
| Check List | 23 |
| Troubleshooting | 24 |
| Parts | 26 |
| Valve Kits | 26 |
| Pump Kits | 27 |
| Related Manuals | 28 |
| California Proposition 65 | 28 |

Recommended Tools and Supplies

| Tool | Size/Description | |
|--|--|----------------|
| | US | Metric |
| Combination wrench* | 1/4 in. - 3/4 in. | 6 mm - 20 mm |
| Socket, standard and deep well with ratchet* | 3/8 in. - 3/4 in. | 9.5 mm - 20 mm |
| Screwdrivers: standard and Phillips | 1 short; 1 long | |
| Adjustable wrench | 1 small; 1 medium | |
| High speed drill (corded or cordless) | | |
| Drill bit - steel, high quality | 5/16 in., 11/16 in. | |
| Center punch | fine point | |
| Pipe taper tap | 1/8 in. npt | |
| Hammer | | |
| Angle grinder | | |
| Grinding disc | Heavy grade grinding disc | |
| Flap disc | 60 - 80 grit | |
| Cutoff disc | High quality disc | |
| Cutting blade / knife | Razor blade cutting tool | |
| Standard pliers | Rubber handle | |
| Needle nose pliers | Rubber handle | |
| Side cut pliers (diagonal cutters) | Rubber handle | |
| Slip joint pliers | Rubber handle | |
| Locking pliers | Small or medium | |
| Wire stripper / crimper | General duty wire stripper / crimper | |
| Soldering iron | 30 watt minimum | |
| Electrical solder | | |
| Soldering flux | | |
| Shrink tubing | Various sizes | |
| Electrical tape | Black, small roll | |
| Thread sealant | Liquid thread sealant such as Loctite® 565 | |
| Multimeter / voltmeter | Must test DC/AC/Ohms | |
| Electrical connectors | Ring connectors (14 -18 gauge) | |
| Tape measure | Standard / metric | |
| Primer and paint | Color should match the equipment | |
| Documentation / writing implements | Small note pad, pen, pencil, marker | |

*Both US and Metric sizes of these tools are recommended.

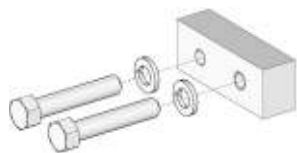
Loctite® is a registered trademark of the Henkel Corporation.

All trademarks and registered trademarks used in this manual are for identification purposes only. All trademarks and registered trademarks are the property of their respective owners.

NOTE: When any of the following images are shown in the instructions it means that these components should be used during the installation to secure or protect parts.



P-Clamp



**Weld Block
and Bolts**



Anchor Block



Zip Tie

Installation

Disconnect battery before installing the lubrication system. Inspect the machine and verify that the system design includes all lubrication points and meets the manufacturer's requirements.

Zerks and Grease Point Fittings

1. Grease all zerk fittings (FIG. 1).



FIG. 1

2. Remove all grease zerks (FIG. 2).

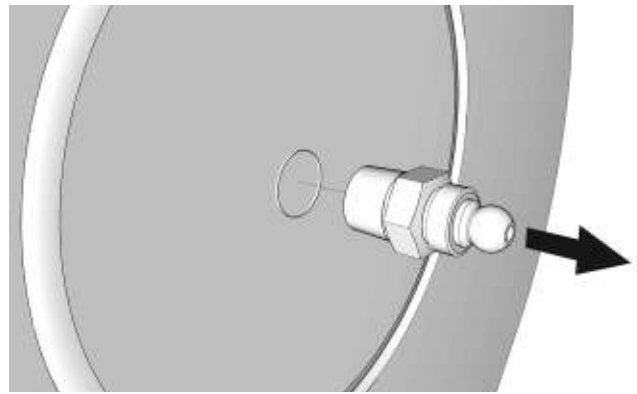


FIG. 2

3. The kit includes a variety of extenders, elbows, straight compression fittings, and elbow compression fittings (FIG. 3). Mix and match fittings and components supplied in the kit to replace the zerks.
4. Apply pipe sealant to fittings. To avoid contamination do not use PTFE tape on the fitting threads. If you must use PTFE tape, ensure that the first thread on the fitting is not taped and that the tape is applied precisely.



FIG. 3

System Layout and Lubrication Points

Hyundai 19 Point Excavator Models HX140 to HX520

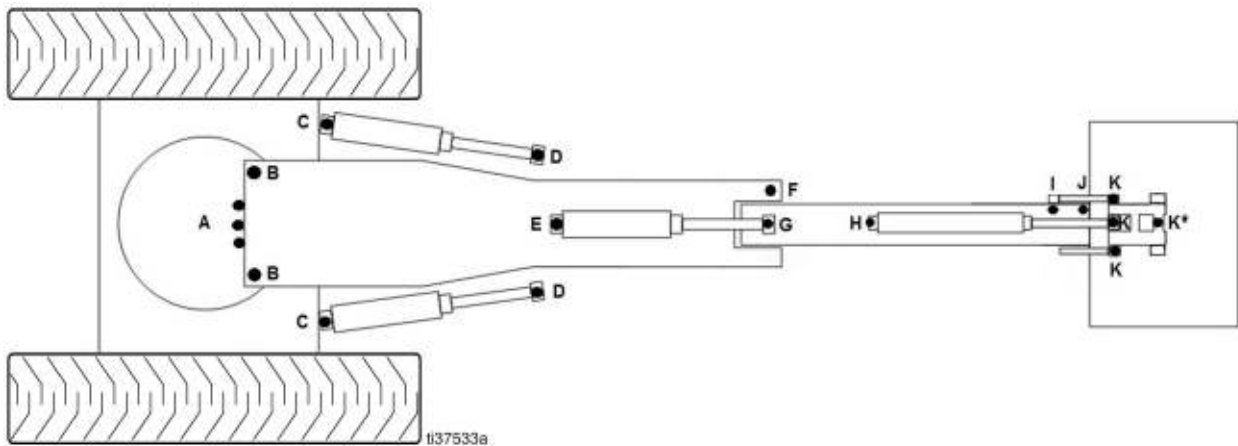
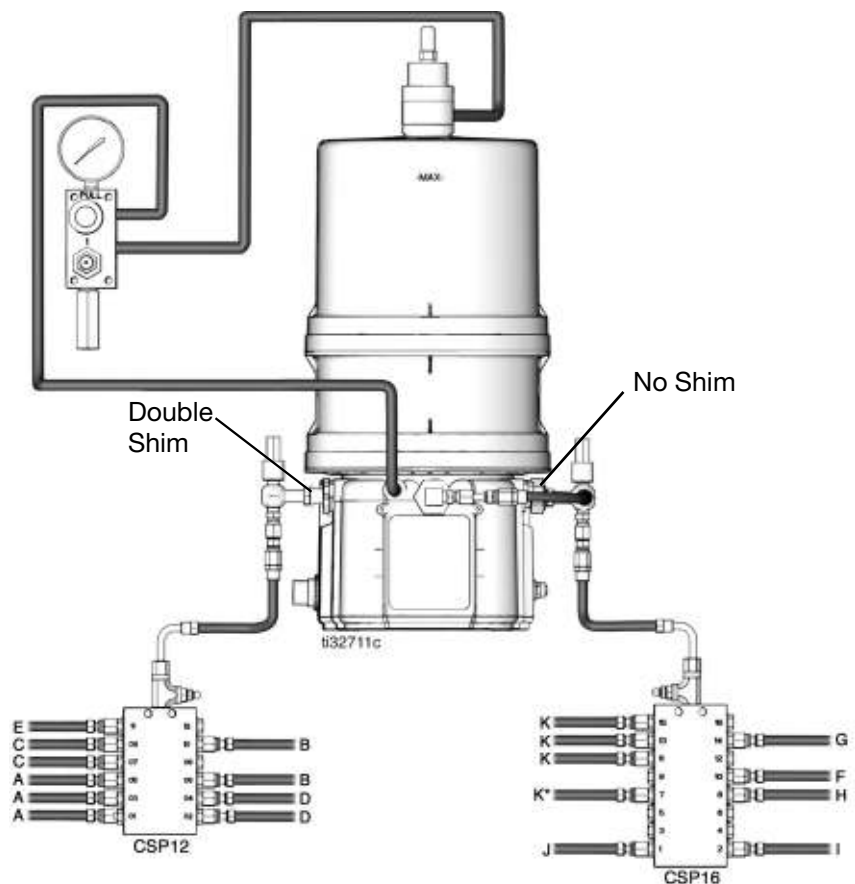


FIG. 4

| Lube Point | Description |
|------------|--------------------------|
| A | Swing Gear |
| B | Boom Foot Pin |
| C | Boom Cylinder Foot Pin |
| D | Boom Cylinder Rod Pin |
| E | Stick Cylinder Foot Pin |
| F | Boom/Stick Pin |
| G | Stick Cylinder Rod Pin |
| H | Bucket Cylinder Foot Pin |
| I | Bucket Link Pin |
| J | Bucket Pin |
| K | H Link |



Hyundai 19 Point Excavator Models HX140 to HX520 with Primary Valve

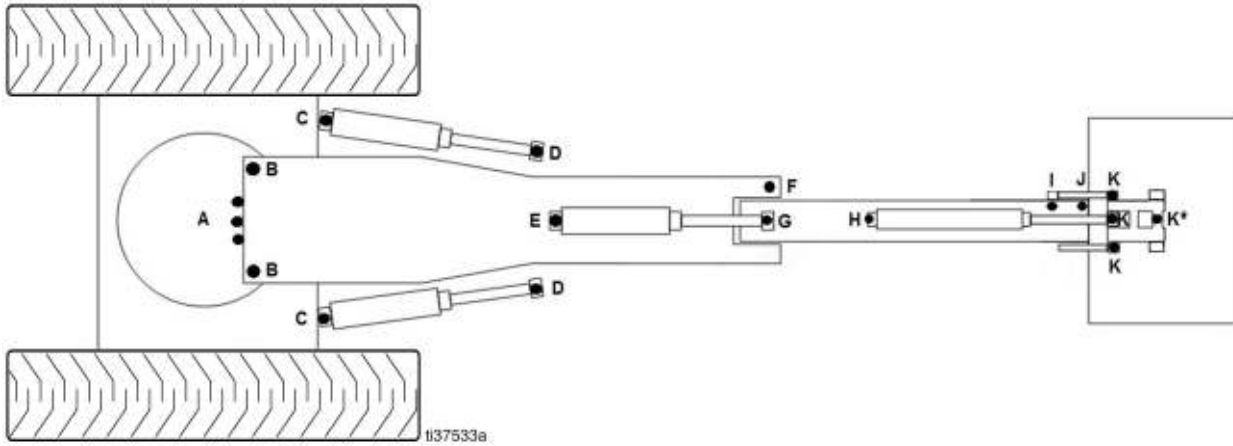
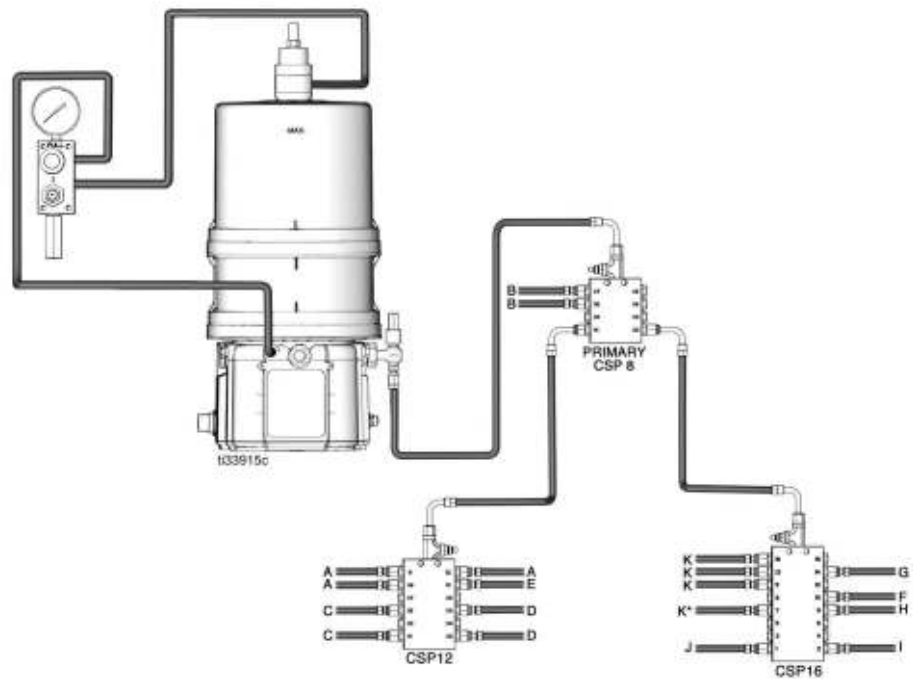


FIG. 5

| Lube Point | Description |
|------------|--------------------------|
| A | Swing Gear |
| B | Boom Foot Pin |
| C | Boom Cylinder Foot Pin |
| D | Boom Cylinder Rod Pin |
| E | Stick Cylinder Foot Pin |
| F | Boom/Stick Pin |
| G | Stick Cylinder Rod Pin |
| H | Bucket Cylinder Foot Pin |
| I | Bucket Link Pin |
| J | Bucket Pin |
| K | H Link |



G3 Pump Mounting Bracket and Pressure Relief Valve Assembly

Assemble and install the pressure relief valve and pump mounting bracket on the pump (FIG. 6). See the Graco G3 pump instruction manual for additional instructions. A complete list of related Graco instruction manuals is provided on page 28.

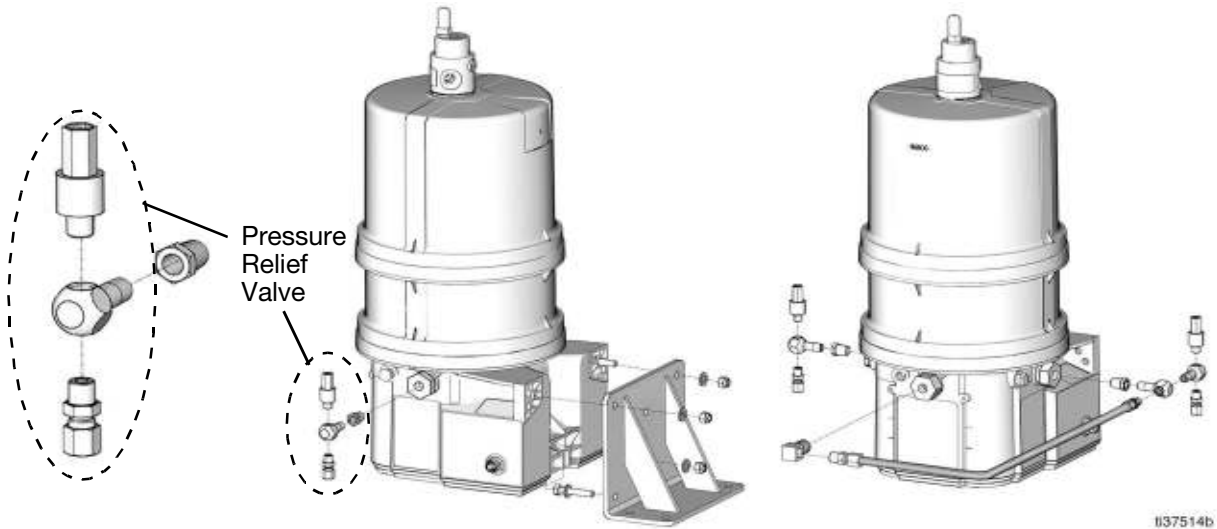


FIG. 6

Assemble CSP Valves and Remote Fill Valve (if equipped)

The CSP primary valve assembly and the remote fill valve assembly, shown in FIG. 7, are provided as guides. Assemble the parts, as needed, to best accommodate the installation. See the Graco CSP Valve instruction manual for instructions. A complete list of related Graco instruction manuals is provided on page 28.

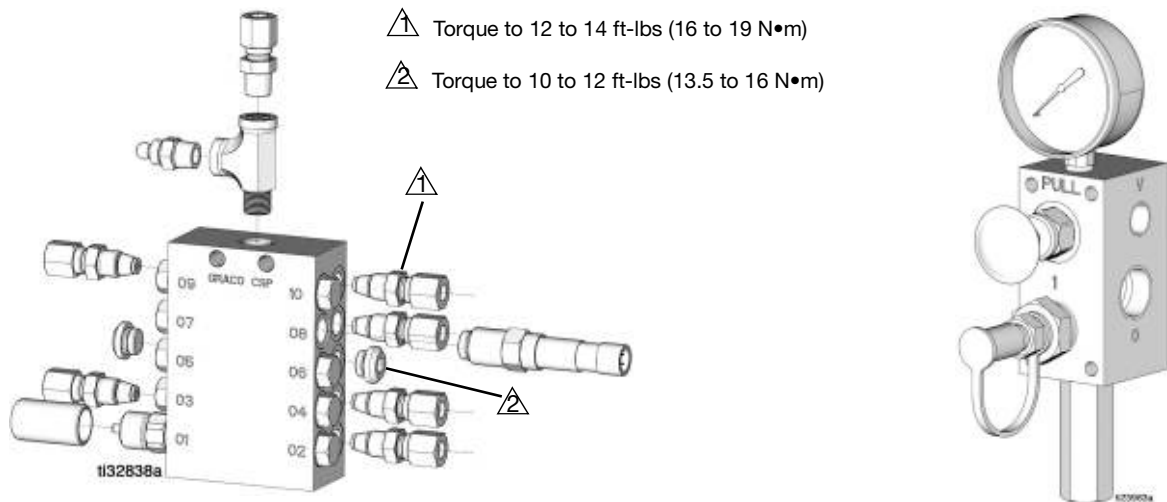


FIG. 7

Install CSP Valves

Use supplied weld block and bolts to install the CSP valves on the equipment. Refer to FIG. 8 and FIG. 10 for recommended installation locations for the valves.

NOTE: If using a proximity switch to monitor the system:

- Route the proximity cable to the G3 SP pump mounting location.
- Route the proximity cable under the cab of the Excavator when using a GLC2200 controller.

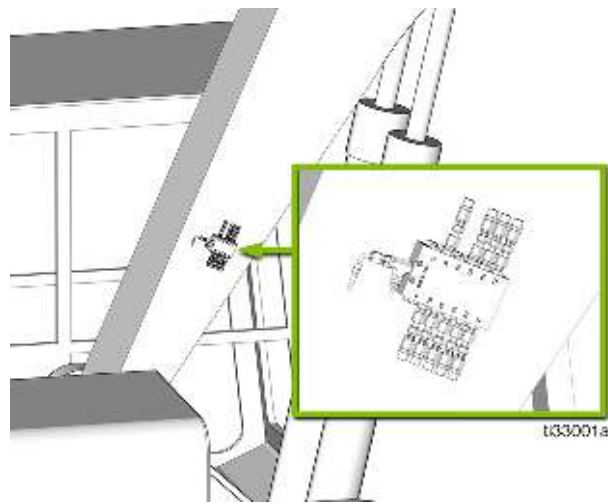


FIG. 8

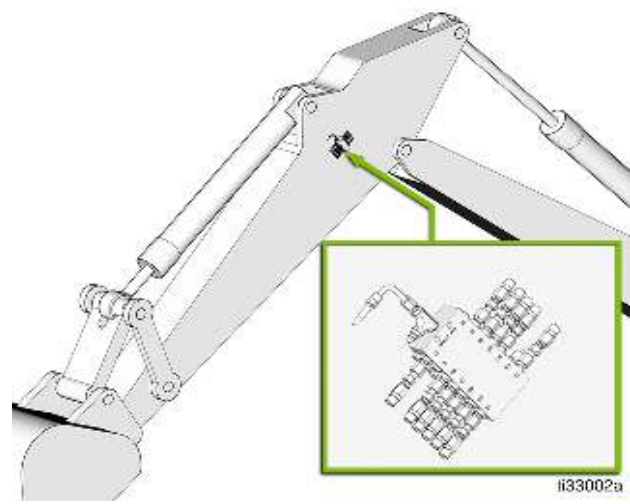


FIG. 10

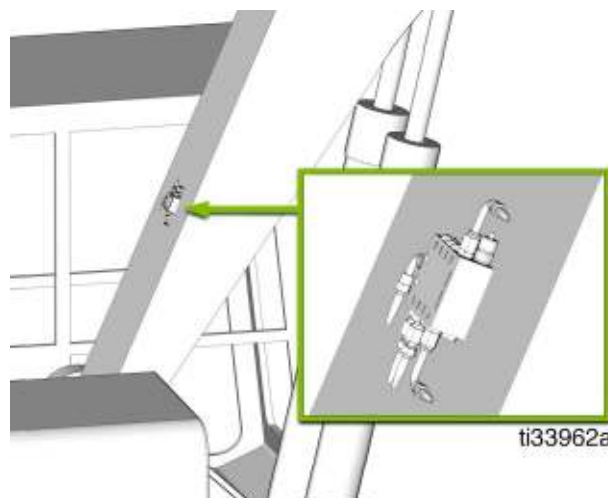


FIG. 9: Optional valve mounting if using primary valve

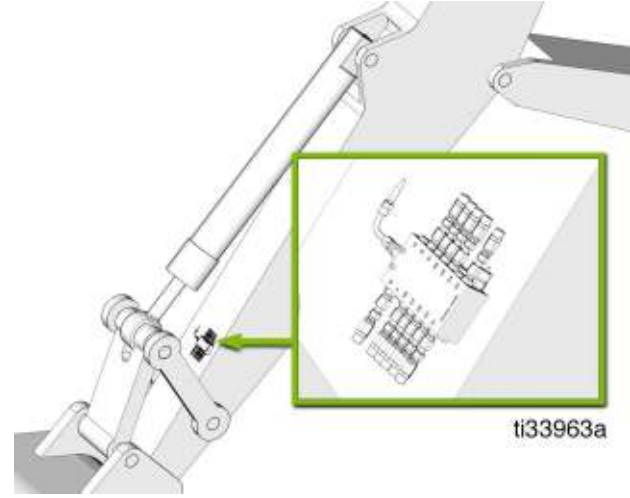


FIG. 11: Optional valve mounting

Assemble Hose Fittings

The hoses included in the kit require assembly prior to installation. The two piece connection fittings must be installed to the end of the hose. For detailed instructions see manual 3A3159.

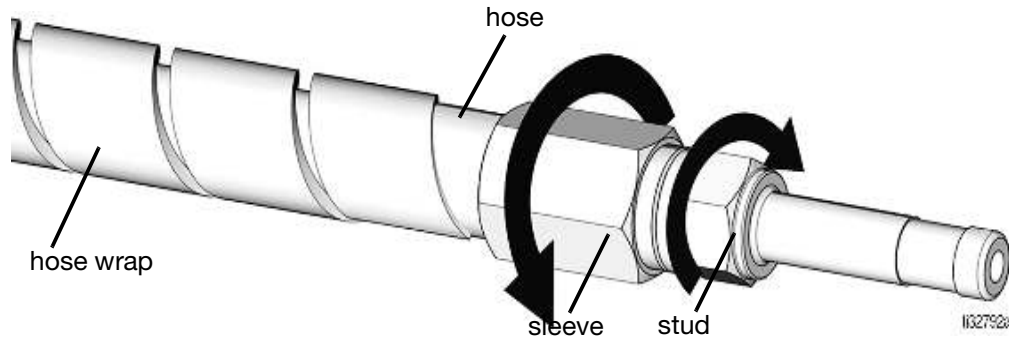


FIG. 12

NOTE: Steps 1-7 refer to FIG. 12.

1. Wrap or slide the hose wrap over the end of the cut-to-length hose until the entire length of the hose is encased in the hose wrap.
2. Trim the hose wrap, leaving approximately 1 in. of the hose end unwrapped.
3. Remove the stud and sleeve from their package and disassemble the two pieces.
4. Lubricate the sleeve threads and the hose inside diameter.
5. Install the sleeve onto the end of the hose by rotating it counter-clockwise until seated.
6. Back off 1/4 turn. This allows enough space for the stud to be connected.
7. Thread the stud clockwise into the sleeve until the sleeve nearly bottoms out against the stud shoulder.

NOTICE

Do not over-tighten the fittings during the final assembly. After the two fittings are securely connected, stop tightening. Over-tightening can damage the fittings and a new hose assembly will need to be made.

The sleeve should be firm when tightening but not difficult to install. If the sleeve is difficult to install, check the hose for proper lubrication. Reapply lubricant as needed. Installation without proper lubrication can cause damage to the core tube.

8. Repeat Steps 1-7 for all hose assemblies.

Install G3 Pump

NOTICE

Never install pump directly to the cab. Do not drill holes or weld on any part of the cab. Drilling or welding on the cab will likely void the cab certification for Roll Over Protective Structures (ROPS) and Falling Object Protective Structures (FOPS).

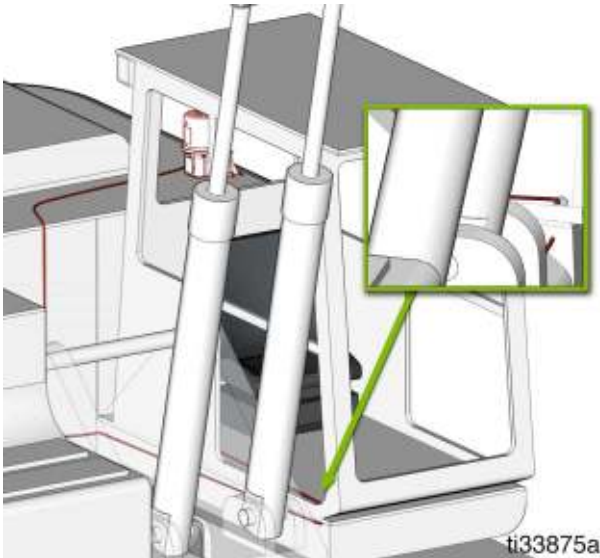
Install the pump in a protected area near the cab. The installation location should have ample space around the pump to allow for the hoses, cables, and a relief valve.

- The deck plate that surrounds the cab is the preferred installation location (FIG. 13). The deck plate is a non-critical component and drilling through the deck plate is generally acceptable by most manufacturers. However, if this location is not acceptable due to durability or space constraints, identify an alternate location around the cab such as below the ladder, in the engine compartment or on the frame.
- A custom pump mounting bracket may be required if the preferred or alternative locations (referenced above) are not acceptable for mounting the pump.

Recommended Installation Components



Option 1



Option 2

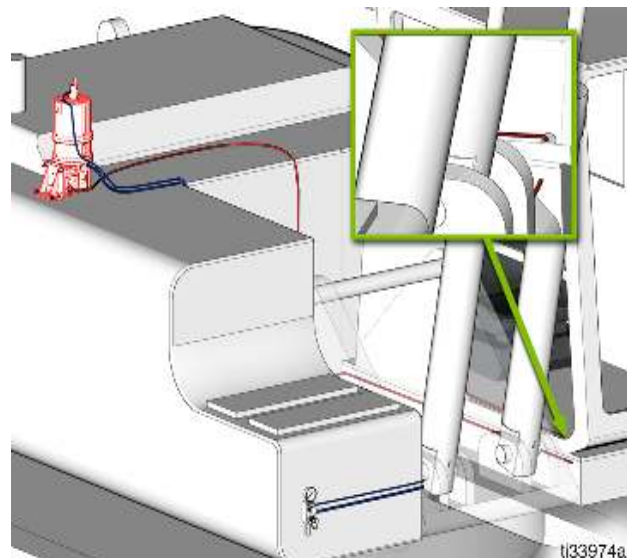


FIG. 13

Install Power Cable

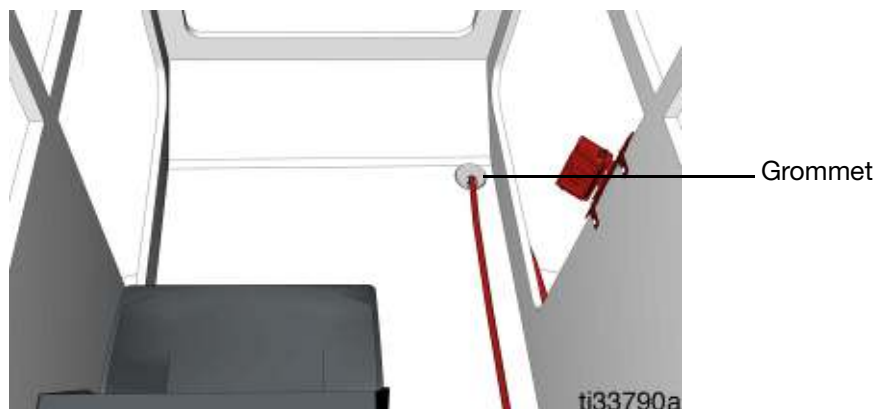
1. Route the power cable from the pump through the body of the machine and under the cab to protect it from the environment, and to aid in wiring into the cab. For installations using a proximity switch and a controller, route the prox cable along the same path as the power cable (FIG. 14).

NOTE: If using a G3 SP pump, route the prox cable directly to the pump and connect it to the supplied M12 connector.

2. Route the power cable into the cab through the rubber grommet located under the floor mat (FIG. 14).

NOTE:

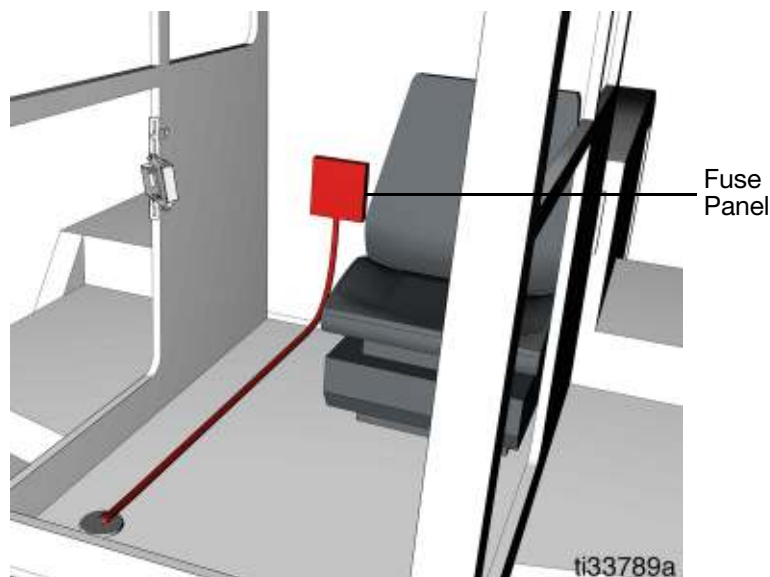
- If the pump uses a remote manual run button with a 5-wire CPC cable, route the cable to the manual run button. See **Wiring Guidelines**, page 18.
- If the pump uses a controller, route the pump power cable into the cab, toward the fuse panel (FIG. 15). See **Wiring Guidelines**, page 18.



Recommended Installation Components



FIG. 14



Recommended Installation Components



FIG. 15

Assemble Bracket and Install the Controller (if equipped)

NOTE: All parts included in the mounting bracket kit may not be required for the installation. The bracket assembly shown in FIG. 16 is provided as a guide. The bracket is designed to be assembled in several configurations. Assemble the parts as needed to best accommodate the installation.

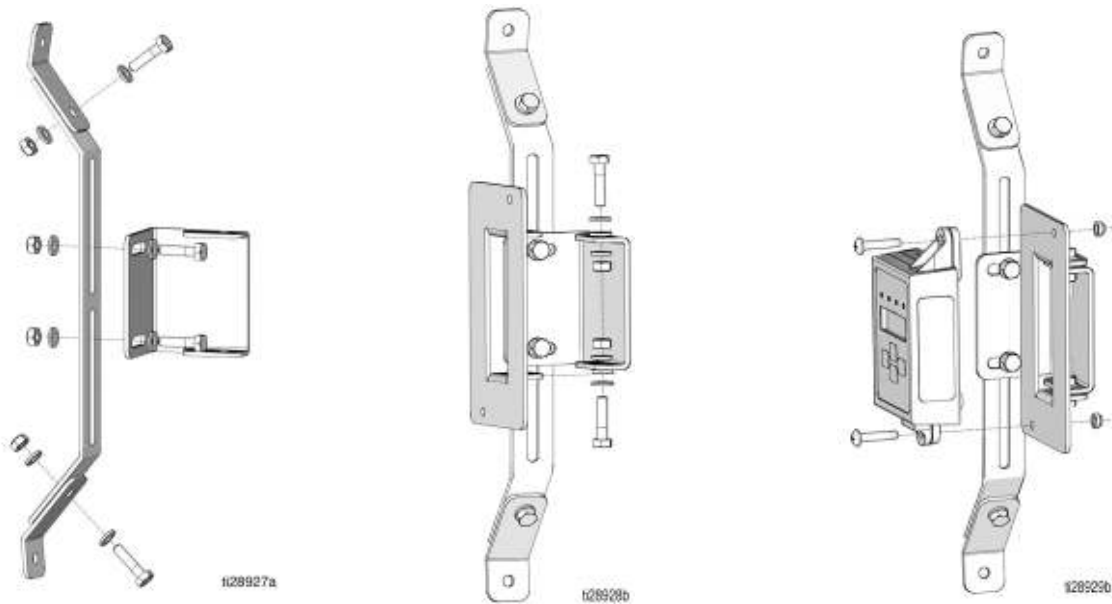


FIG. 16

1. Assemble the controller mounting bracket.

NOTE: FIG. 16 is only provided as a guide. Parts can be rotated to best suit the installation location and to provide optimal orientation for operator access inside the cab.

2. Attach the controller to the bracket using the hardware provided in the kit.
3. Install the bracket inside the cab using existing holes in the cab, and the hardware provided in the kit (FIG. 17).

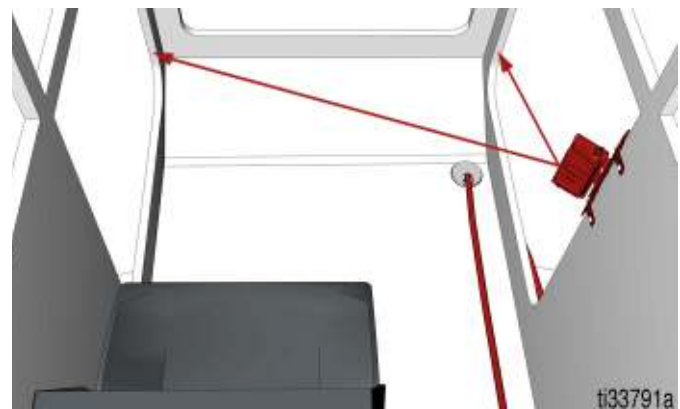


FIG. 17

NOTICE

Never install controller directly to the cab. Do not drill holes or weld on any part of the cab. Drilling or welding on the cab will likely void the cab certification for Roll Over Protective Structures (ROPS) and Falling Object Protective Structures (FOPS).

Hose Routing Guidelines

NOTICE

Never install valves directly to the cab. Do not drill holes or weld on any part of the cab. Drilling or welding on the cab will likely void the cab certification for Roll Over Protective Structures (ROPS) and Falling Object Protective Structures (FOPS).

- Identify the internal and external pivot points to ensure proper hose lengths are used. If hoses are too short they will bind and eventually break. If hoses are too long, they can easily snag on external debris or be pinched in the machine.
- Follow the existing hydraulic and electrical routing. This ensures that the lines are protected and routing is consistent with the OEM's existing hydraulic hose routing.
- Utilize existing grommets, supports or cut outs in the equipment's frame for access points. Routing the hoses through these areas keeps the hoses inside the machine and provides protection. This also provides a cleaner and more professional looking installation.
- Install hoses to ensure they move with the machine. Consider pivot, oscillation, extension, and pinch point areas on the equipment. Before cutting and securing hoses, have a qualified technician move the various parts of the machine to ensure proper routing is achieved.
- Connect hoses to divider valves.
- Use weld studs and p-clamps to secure hoses to the equipment. Use zip ties to secure hoses together and to the equipment's existing hydraulic hoses.
- If possible, fill hoses with grease prior to installing on the equipment.
- See FIG. 18 through FIG. 25 for hose routing examples.

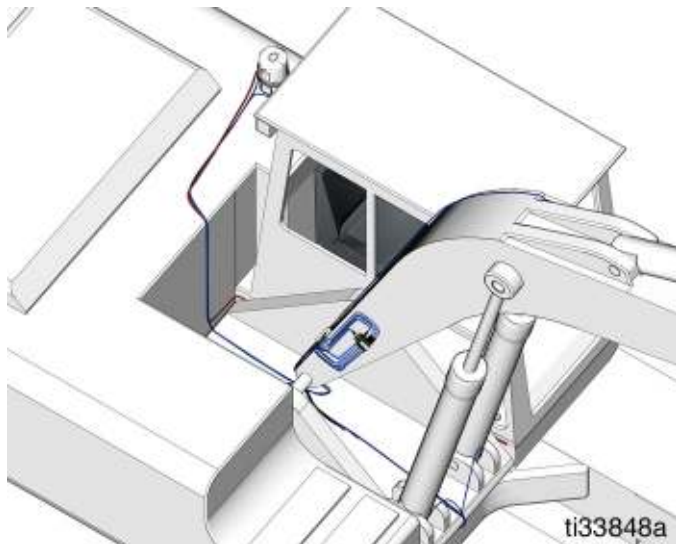
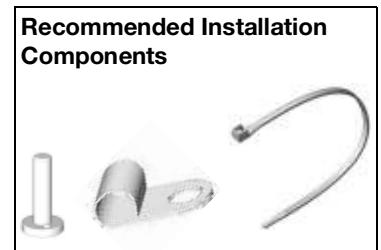


FIG. 18



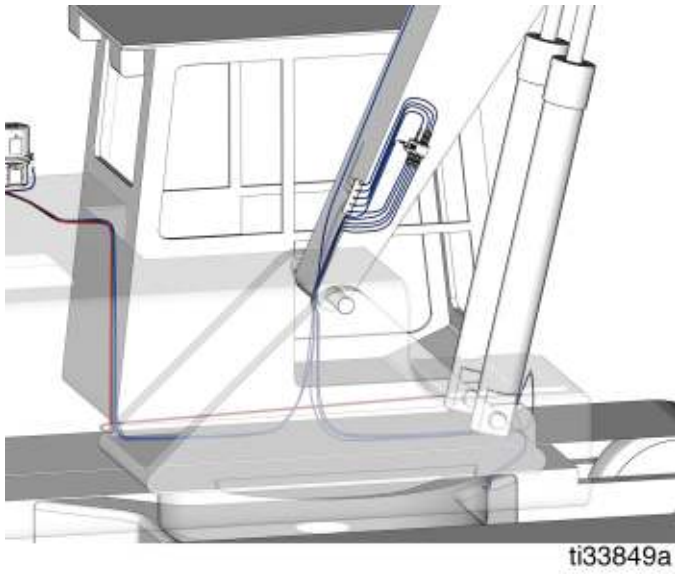


FIG. 19

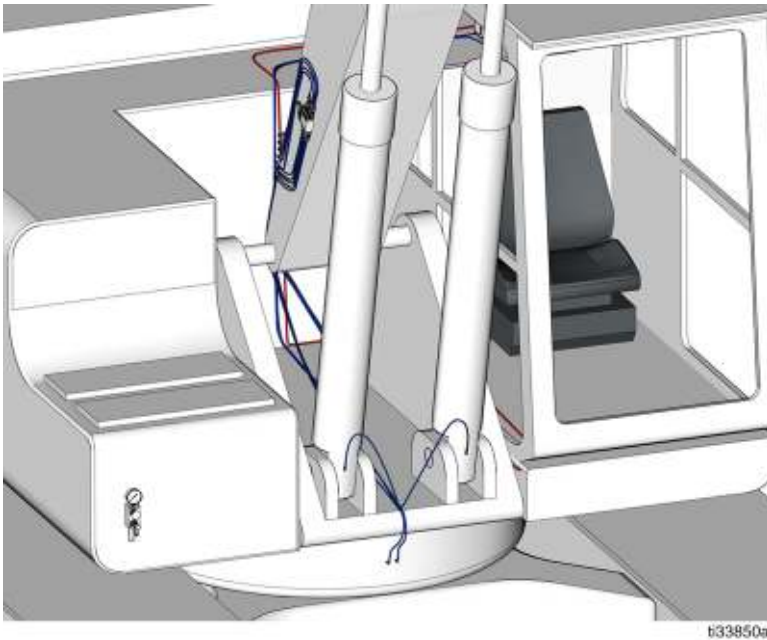
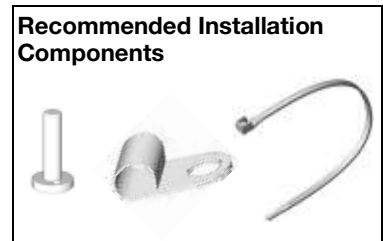


FIG. 20



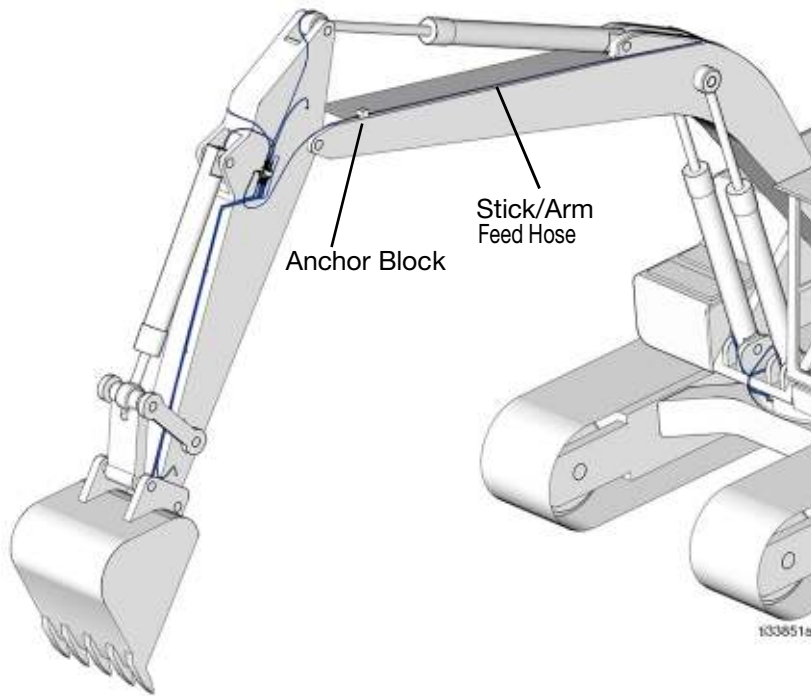


FIG. 21

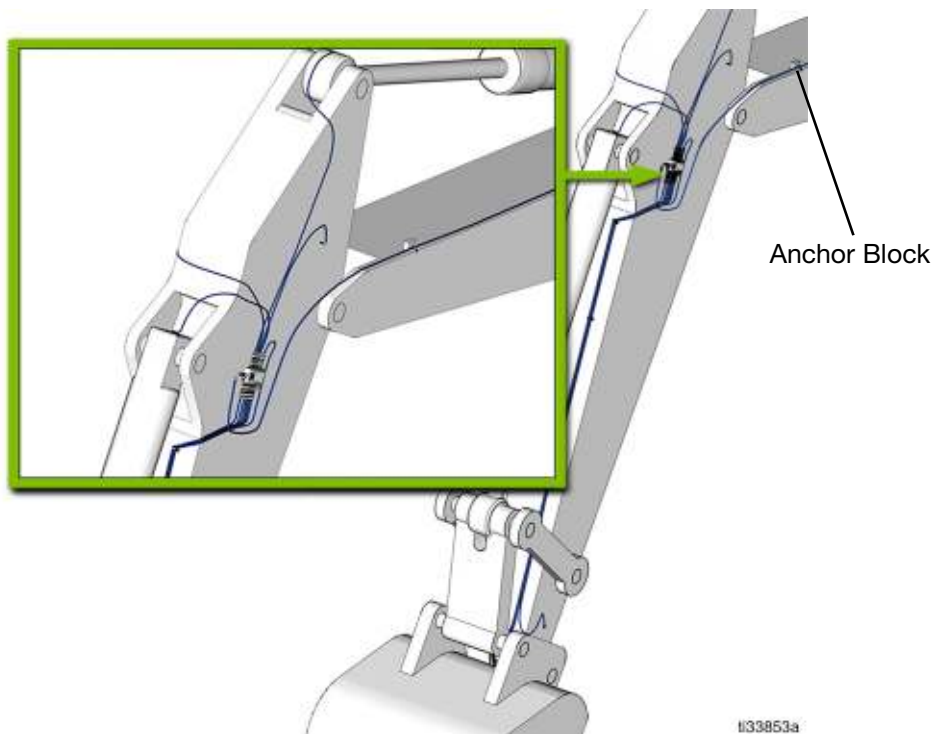


FIG. 22

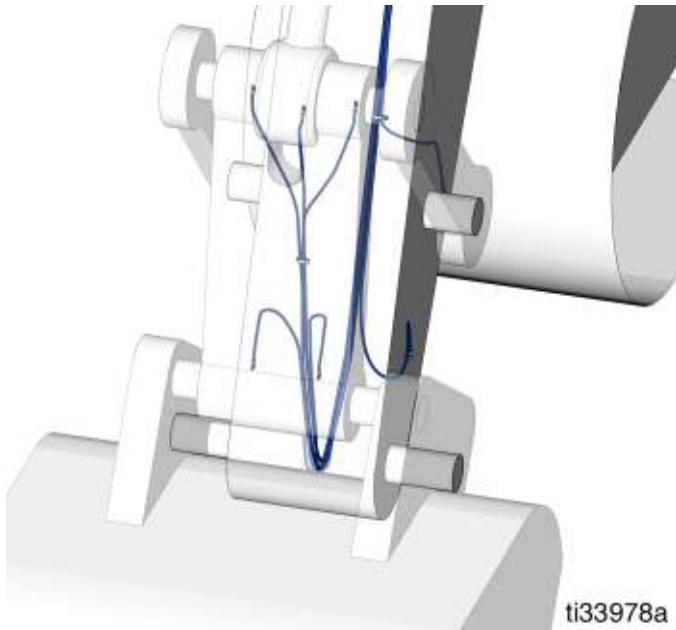


FIG. 23

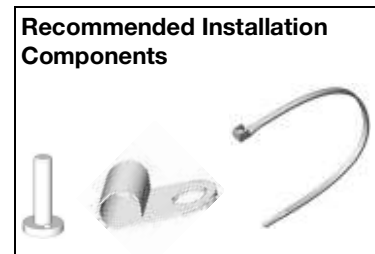
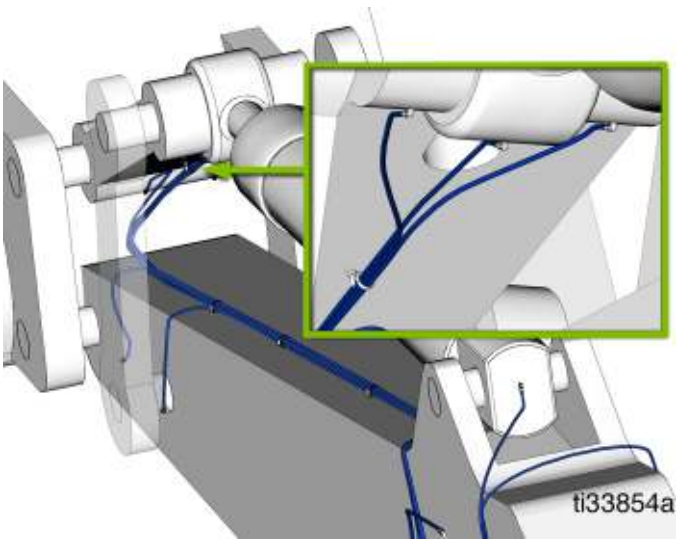


FIG. 24: Top View

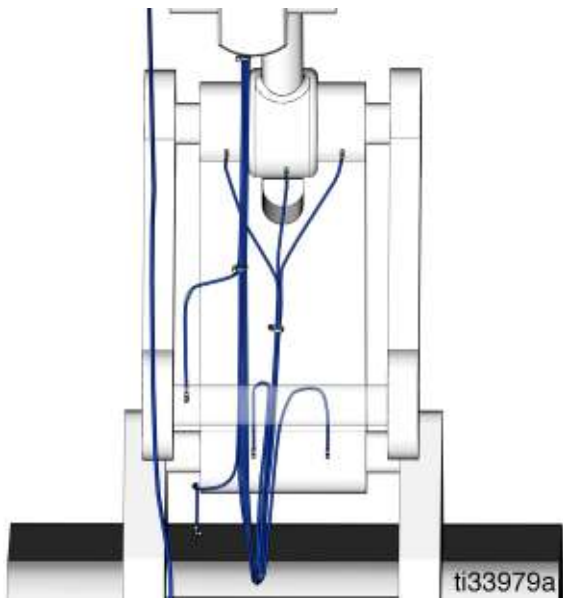


FIG. 25: Bottom View



Wiring Guidelines

G3 SP Pumps with Internal Controller, Feedback, and Manual Run Button Wiring Schematic (FIG. 26)

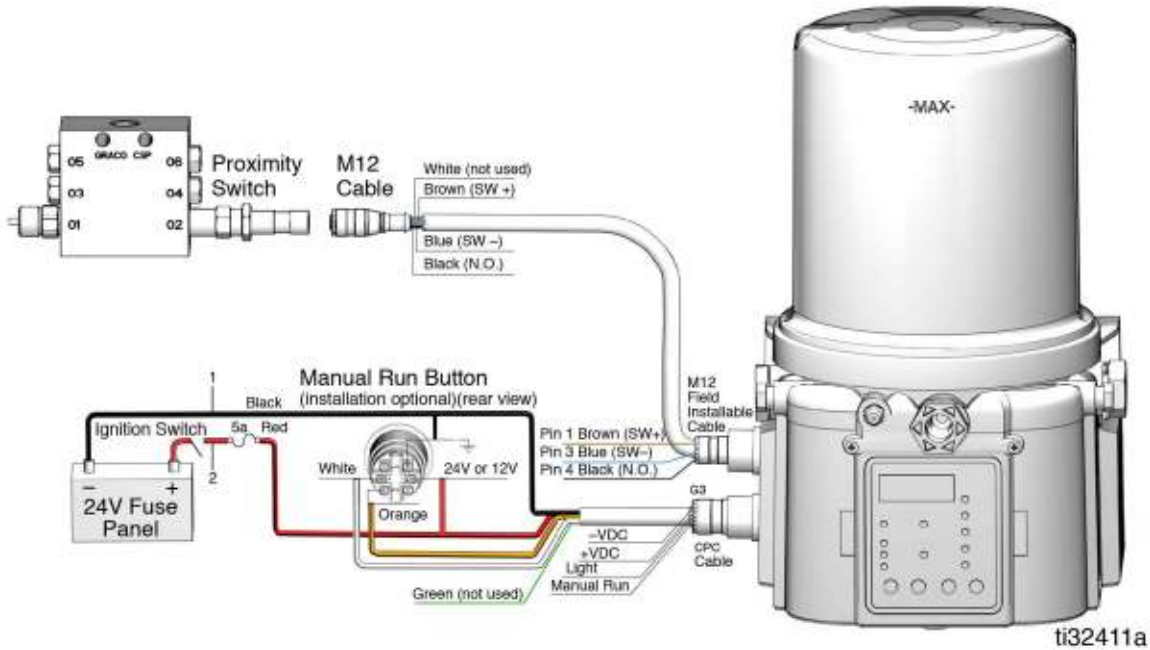


FIG. 26

G3 Pro Pumps with Internal Controller and Manual Run Button Wiring Schematic (FIG. 27)

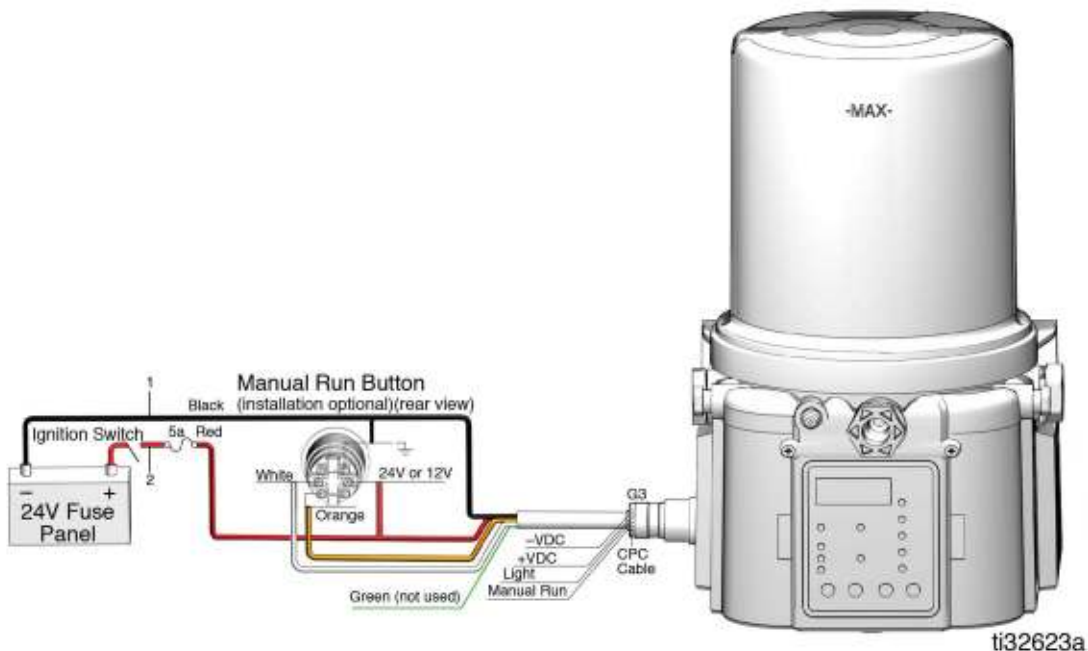


FIG. 27

G3 Standard Pumps with External Controller, With and Without Feedback Wiring Schematic (FIG. 28 and FIG. 29)

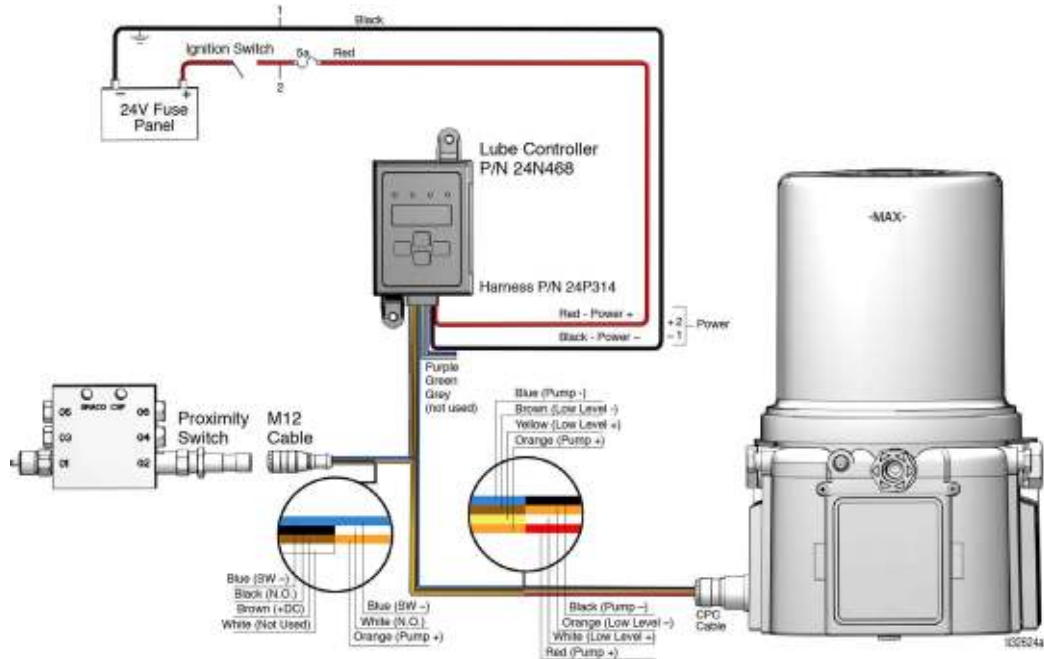


FIG. 28

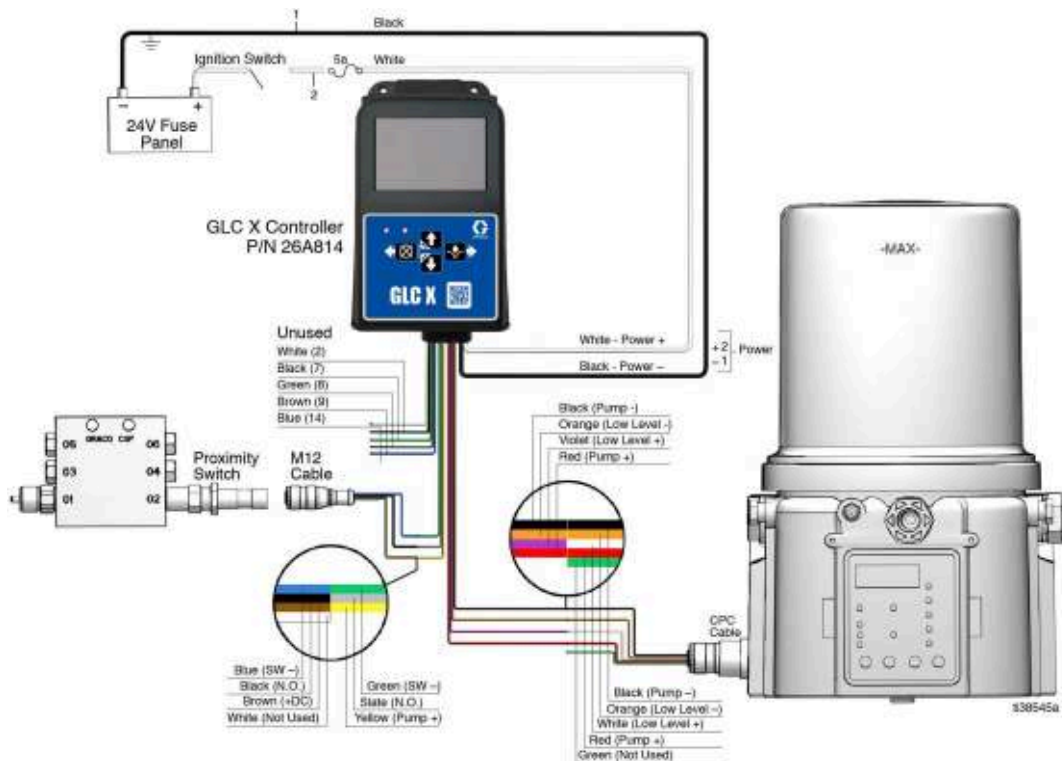


FIG. 29

Programming (FIG. 30 - FIG. 33)

G3 SP

Example Settings:

Cycles: CY:20
Off Time: 01:00

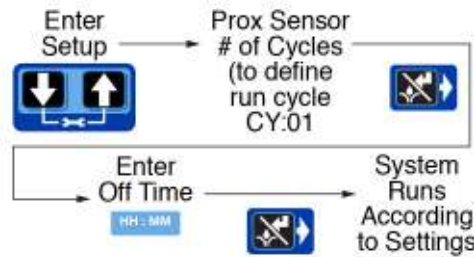


FIG. 30

G3 Pro

Example Settings:

On Time: 04:00 Min
Off Time: 01:00 Min
Prelube: Off
or
Prelube: On - 10:00

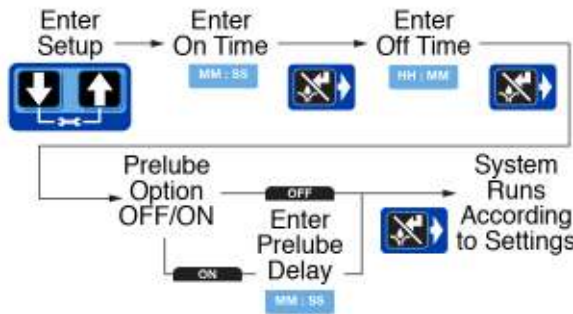


FIG. 31

GLC2200

Example Settings:

On: Cy
Cycles: CY:20
On Time: 12:00 Min
Off Time: 01:00 Hour
Low Level: LL:02

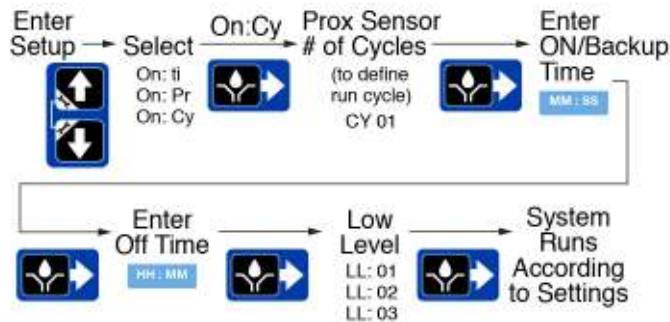


FIG. 32

GLC X

Example Settings:

- Cycles: CY:08
- Time Out: 10:00 Min
- Interval Time: 01:00 Hour
- Prelube: Off
- or
- Prelube: On - 10:00

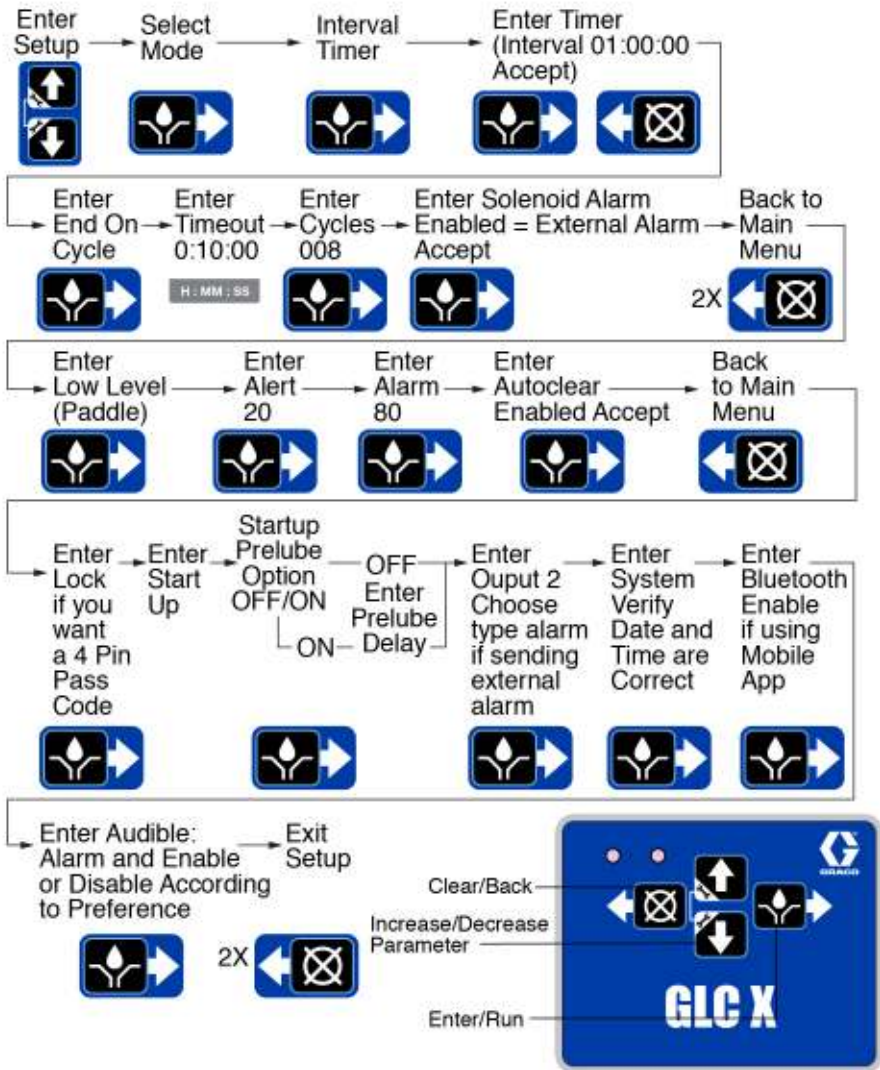


FIG. 33

Fill with Grease

NOTE: Ensure dirt and/or debris does not get on the grease fitting or introduced into the system.

Fill Pump Reservoir

- Fill the pump with grease through the grease zerk (FIG. 34).

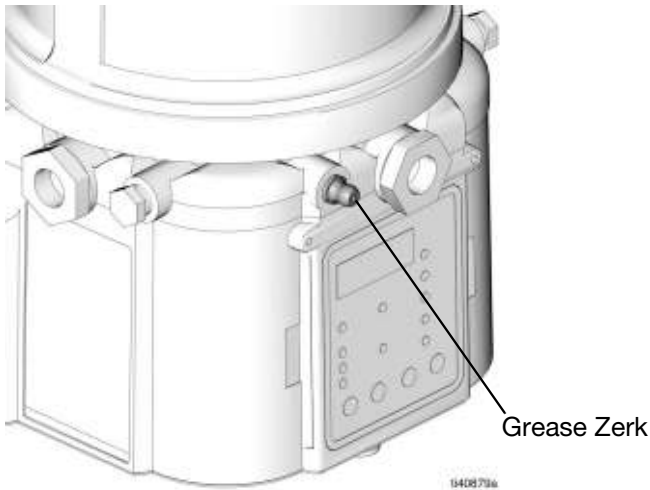


FIG. 34

- If using an Auto-Fill Shut Off pump, fill at the remote fill manifold (FIG. 35).



FIG. 35

- Do not overfill the reservoir. See fill level on the front of the pump reservoir. Grease will flow out of the reservoir overflow located on the back of the pump if the reservoir is overfilled.

Fill Valves and Hoses with Grease to Purge Air

An automatic lubrication system must be free of air to function properly.

- Connect a grease gun to the grease zerk on the CSP valves to fill them with grease (FIG. 36).

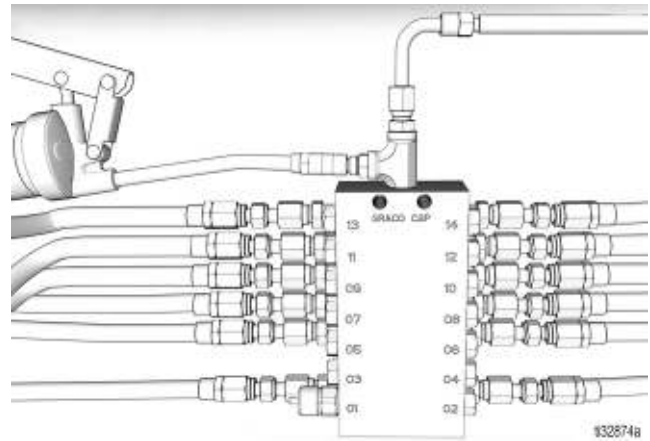


FIG. 36

- Use a waste container to capture excess grease from the grease hoses.
- Identify when hoses are filled and air is purged from the hose.

NOTE: It is helpful to have a colleague assist with this step. While one person fills the hoses with grease, the second person monitors the grease hoses and bearing points to verify they are receiving grease and when they are filled.

- Tighten hoses to the pump and bearing points securely.

Test the System

Before testing the system:

- Verify that the pump reservoir is filled with grease.
- Verify the valve and grease hoses are filled with grease and air is purged.
- Verify that all supply hoses are connected securely.
- Connect the power to battery. Turn key to ACC.
- Verify the G3 pump and the controller (when used) have power.
- Press the Manual Run button on the G3 pump or controller to run the lube system through several lube events and to ensure that all lube points are receiving grease.
- While the pump is running, walk around the equipment and inspect all pump, valves, hose fittings, and bearing point connections to confirm there are no leaks in the system.
- Articulate all working sections of the equipment to ensure there is sufficient hose length supplied to all lubrication points.
- Inspect the valve hose fittings and bearing point connections again, to confirm there are no leaks, the hoses are secure, and that all points are receiving grease.
- Adjust any fittings or connections that are leaking.
- If possible, put equipment into service and inspect the movement of the machine to verify there are no pinch points and that the equipment is functioning properly.
- After completing all of the testing, park the equipment in a safe and secure location. Disconnect the battery switch and ensure proper parking procedures are observed.
- Complete any final housekeeping activities such as cleaning the work area, ensuring that any potential grease spills have been cleaned up, and that all waste containers are disposed of properly.
- Perform a final walk around of the machine. Take photographs as needed for documentation or reference.

Train the Operator

Train the operator on the features and day-to-day operation of the lubrication system.

Check List

- How to know when the reservoir is empty.
- What to do when the reservoir is empty.
- How to know if the lube points are getting grease.
- Lubrication system inspection.
- Clearing faults on the pump or controller.

Troubleshooting

Review the Troubleshooting Table below. For additional service, refer to the Graco Website, www.Graco.com and/or contact your Graco Distributor.

| Problem | Cause | Solution |
|---|-------|---|
| Pump does not power on. | | Verify the equipment battery is connected and the key is in the ACC position. Check wiring to the G3 pump and GLC2200 controller is correct. See Wiring Guidelines , page 18. |
| GLC2200 controller or G3 pump is in alarm mode. System does not operate. | | Hold down the fault clear button on the GLC2200 or G3 pump for 3 seconds to clear the fault and begin the OFF Time countdown. |
| GLC2200 controller is in fault mode and display shows ER:LL or G3 Pump is in fault mode and the LED next to the Low Level Fault is lit. | | G3 Pump reservoir is empty and requires refilling. After reservoir is filled, press and hold the reset button on the GLC2200 or G3 pump for 3 seconds. |
| GLC2200 alarm sounding during machine operation. | | To silence the alarm until service can be rendered, press the reset button for 1 second; then release the button. This will silence the alarm but maintain the lube system in alarm mode until serviced. |
| GLC2200 controller or G3 pump in fault mode. ER:Cy displays. | | The lubrication system failed to complete a lube event in the time allowed to run. Verify controller is programmed correctly. In colder temperatures, it may be necessary to increase standard run time to complete the lube cycle. |
| | | If the first solution does not correct the problem, run a manual cycle and check the pump relief valve for discharged grease. The grease pressure is at 4000 psi (27.58 MPa, 275.8 bar) when the relief valve discharges. If grease has discharged from the relief valve, a bearing may have stopped taking grease, a hose may be compromised, or the CSP valve may be clogged. |
| | | Inspect CSP divider valve hoses for damage and/or leaks. Replace hoses if needed. If hoses are not compromised, use a manual grease gun to verify the valves are accepting grease. |
| | | If the CSP valve fails to accept grease; the valve may be clogged and need to be replaced or the bearing point is refusing to accept grease. Repeat steps for remaining CSP valves until the blockage is found. |
| The CSP valves refuse to accept grease. | | Verify that the CSP valves have not been over-torqued to their required specification. If they have been over-torqued, valve performance can be compromised. Adjust the valve assembly. |

| Problem | Cause | Solution |
|---|---|---|
| Bearings are not receiving enough grease. | | Reduce the OFF Time on the controller. This will increase the frequency of the lube events and increase the amount of grease the bearings receive throughout the day. Alternative setting = 45 minutes = 30% increase, 40 minutes = 50% increase, 30 minutes = 100% increase. |
| GLC2200 controller or G3 pump will not run programmed time. | | Verify you are programming the hours, minutes, and seconds correctly. Refer to the GLC2200 or G3 pump instruction manual. |
| There is a broken hose in the lubrication system. | | Replace broken hose. See Assemble Hose Fittings , page 9. The original kit included extra hose and fittings. If you do not have spare hose and fittings to assemble a replacement hose, contact your Graco Distributor for assistance with ordering new parts. |
| GLC X display or LED does not come on. | Incorrect or loose wiring. | Refer to Installation. |
| | Input voltage is out of range. | Confirm that the power source is between 9 and 30 VDC. |
| | Tripped external fuse. | Confirm that none of the devices or wiring connected to the controller are causing a short circuit connection. If necessary, replace fuse. |
| GLC X pump is not running during lubrication event. | Incorrect or loose wiring. | Confirm current is being delivered to the pump during a lubrication event. Verify that your machine has been wired correctly. Refer to Installation. |
| | Controller output is incorrect. | Confirm output voltage (Pump Output +) from controller during lubrication event is correct (should be similar to input voltage). If controller output voltage is never present, the device may need replacement. |
| GLC X reservoir runs out of grease quickly and unexpectedly | TEST MODE is engaged. | Turn off TEST MODE. |
| | There is a leak. | Check reservoir and lines for leaks. |
| GLC X always in low level | Review ground difference between the GLC X and the switch or sensor | Rewire if necessary. |

Parts

Valve Kits

| PN | Description | Models/Quantity | |
|--------|---------------------------------------|-----------------|--------|
| | | 26C125 | 26C128 |
| 123147 | 9 mm hose wrap, 10 meters | 5 | 5 |
| 17S554 | 8.6 mm hose, 100 meters | 1 | 1 |
| 17L648 | Hose stud sleeve | 52 | 58 |
| 17R565 | Hose stud straight | 32 | 38 |
| 17R566 | Hose stud 90-degree | 20 | 20 |
| 17L550 | CSP outlet 8.6 mm compression | 26 | 30 |
| 17L548 | 1/8 bspt x 6 mm compression straight | 25 | 30 |
| 17L546 | 1/8 bspt x 6 mm compression 90-degree | 25 | 25 |
| 17T780 | 1/8 npt x 6 mm compression straight | 7 | 7 |
| 17T781 | 1/8 npt x 6 mm compression 90-degree | 5 | 5 |
| 17K061 | 1/8 bspt x 1/8 90 degree elbow | 15 | 15 |
| 17G422 | 1/8 bspt x 1/8 extension | 15 | 15 |
| 17T782 | 1/4 npt x compression | NA | 1 |
| 15M045 | 1/4 npt short street elb | NA | 1 |
| 24Z505 | CSP8 w/Indicator | NA | 1 |
| 24Z507 | CSP12 w/indicator | 1 | 1 |
| 24Z508 | CSP14 w/indicator | NA | NA |
| 24Z509 | CSP16 w/indicator | 1 | 1 |
| 17L651 | CSP doubling plug | 20 | 20 |
| 25N730 | CSP weld bar kit | 3 | 3 |
| 127513 | P-Clamp weld studs | 10 | 10 |
| 127514 | Stud, weld, 1/4 - 20 x 1.2 | 2 | 2 |
| 557944 | P-Clamps, small | 10 | 10 |
| 127515 | P-Clamps, large | 5 | 5 |
| 102040 | 1/4-20 Nuts | 15 | 15 |
| 17K063 | Zip Ties 100ct | 1 | 1 |
| 560540 | Anchor bracket | 1 | 1 |
| 556419 | CSP Inlet Tree | 2 | 3 |
| 555888 | Grease Zerk | 2 | 3 |
| 557969 | Grease Zerk Cover | 2 | 3 |
| 115122 | 4000 psi relief valve | 1 | NA |
| 560533 | Fitting, elb stl 1/8F x 1/4M | 1 | 1 |
| 164815 | Branch tree outlet fitting 1/8 | 1 | NA |
| 571041 | Kit, ACC, pump element | 2 | 1 |

Pump Kits

G3 Std w/2200

26C130 (2L), 26C131 (4L), 26C132 (8L), 132871 (4L w/AFSO), 132872 (8L w/AFSO)

G3 Std w/GLC X

132868 (2L), 132869 (4L), 132870 (8L), 132873 (4L w/AFSO), 132874 (8L w/AFSO)

G3 Pro

23C133 (2L), 26C134 (4L), 26C135 (8L), 132875 (4L w/AFSO), 132876 (8L w/AFSO)

G3 SP

26C136 (2L), 26C137 (4L), 26C138 (8L)

G3 Max

132877 (4L w/AFSO), 132878 (8L w/AFSO)

| PN | Description | Models/Quantity | | | | |
|-----------------------------------|----------------------------------|-----------------|-----------------|--------|-------|--------|
| | | G3 Std. w/ 2200 | G3 Std. w/ GLCX | G3 Pro | G3 SP | G3 Max |
| Varies | G3 Pump | 1 | 1 | 1 | 1 | 1 |
| 571031 | Manual run button | -- | -- | 1 | 1 | 1 |
| 17V033 | 10 ft. Extra wire (power/ground) | -- | -- | 1 | 1 | 1 |
| 24N468 | GLC2200 | 1 | -- | -- | -- | -- |
| 24W981 | GLC2200 10 ft. Cable | 1 | 1 | -- | -- | -- |
| 26A814 | GLC X controller | -- | 1 | -- | -- | -- |
| 26A882 | GLC X Cable | -- | 1 | -- | -- | -- |
| 17G007 | Controller mounting bracket | 1 | 1 | -- | -- | -- |
| 17D688 | Add-a-Fuse | 1 | 1 | 1 | 1 | 1 |
| 557264 | Fuse 5amp ATO/ATC | 1 | 1 | 1 | 1 | 1 |
| 131944 | Fuse holder | 1 | 1 | 1 | 1 | 1 |
| 131945 | Fuse 5amp atm | 1 | 1 | 1 | 1 | 1 |
| 164815 | Branch tee outlet fitting 1/8 | 1 | 1 | 1 | 1 | 1 |
| 556402 | Reducer bushing 1/4 x 1/8 | 1 | 1 | 1 | 1 | 1 |
| 115122 | 4000 PSI relief valve | 1 | 1 | 1 | 1 | 1 |
| 125910 | Pump mount bracket | 1 | 1 | 1 | 1 | 1 |
| 17L879 | CSP Prox switch | 1 | 1 | -- | 1 | 1 |
| 25M604 | CSP Prox switch cable | 1 | 1 | -- | 1 | 1 |
| 124594 | M12 field installable end | -- | -- | -- | 1 | 1 |
| 102258 | Large ground ring connector | 2 | 2 | 2 | 2 | 2 |
| 106595 | Small ground ring connector | 2 | 2 | 2 | 2 | 2 |
| 124227 | Pump mounting bolts | 4 | 4 | 4 | 4 | 4 |
| 111040 | Pump mounting nuts | 4 | 4 | 4 | 4 | 4 |
| 100527 | Pump mounting washers | 4 | 4 | 4 | 4 | 4 |
| additional parts with AFSO option | | | | | | |
| 77X542 | AFSO remote fill valve | 1 | 1 | 1 | -- | 1 |
| 15M045 | 1/4 npt street elbow | 1 | 1 | 1 | -- | 1 |
| 556762 | 1/4 npt x -4 JIC straight | 2 | 2 | 2 | -- | 2 |
| 128845 | 3/8 npt x -4 JIC straight | 2 | 2 | 2 | -- | 2 |
| 128572 | 1/4 in. Hose | 1 | 1 | 1 | -- | 1 |
| 129332 | Remote fill mounting bolts | 4 | 4 | 4 | -- | 4 |
| 102040 | Remote fill mounting nuts | 4 | 4 | 4 | -- | 4 |
| 128563 | Hose end 1/4 hose -4 ftg | 4 | 4 | 4 | -- | 4 |
| 16T854 | VV cover plug | -- | -- | -- | -- | 1 |

Related Manuals

| Manual No. | Title |
|------------|--|
| 332291 | G3 Standard Pump |
| 332298 | G3 Pro Pump |
| 3A4676 | G3 SP Pump |
| 3A5028 | G3 Illuminated Remote Run Button |
| 3A2960 | GLC2200 Controller |
| 3A3159 | Instructions for Installing a Field Attachable/Reusable Hose Fitting |
| 3A3995 | CSP Valve |
| 3A7031 | GLCX Lubrication Controller |
| 333393 | Fill Valve Instructions |

California Proposition 65

CALIFORNIA RESIDENTS

 **WARNING:** Cancer and reproductive harm – www.P65warnings.ca.gov.

*All written and visual data contained in this document reflects the latest product information available at the time of publication.
Graco reserves the right to make changes at any time without notice.*

For patent information, see www.graco.com/patents.

Original information. This manual contains English. MM 333538

Graco Headquarters: Minneapolis

International Offices: Belgium, China, Japan, Korea

GRACO INC. AND SUBSIDIARIES • P.O. BOX 1441 • MINNEAPOLIS MN 55440-1441 • USA
Copyright 2018, Graco Inc. All Graco manufacturing locations are registered to ISO 9001.

www.graco.com

Revised, March 2022